

洋晟實業股份有限公司 ORECO ENTERPRISE CO.,LTD.
 7030-3.00mm(.118") PITCH CONNECTOR, TERMINAL

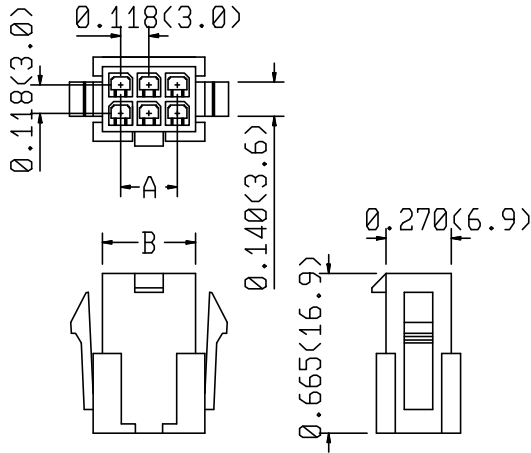
Specification:

- Circuits: 2~24
- Voltage rating: 250V AC,DC
- Current rating: 3~5A
- Insulation resistance: 1000 MΩ min.
- Contact resistance: 10 MΩ max.
- Temperature range: -25℃ ~ +85℃

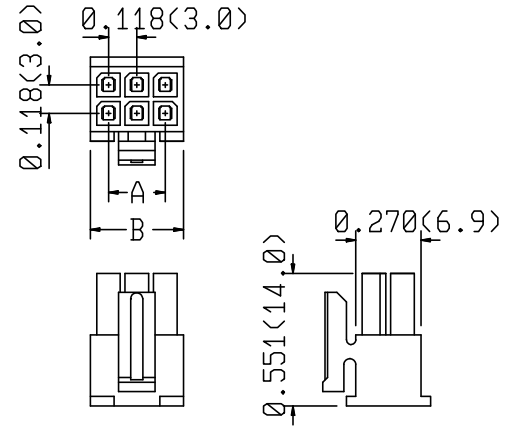
HOUSING

Material:
 UL 94V-0
 Polyester

7030-xxP (Plug)



7030-xxR (Receptacle)

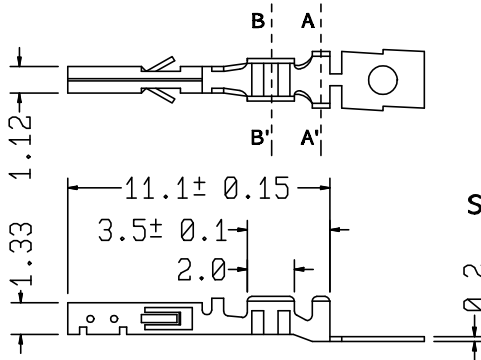


Circuits	Part No.		Dimensions in. (mm)	
	Plug	Receptacle	A	B
2	7030-2P	7030-2R	-	0.152(3.85)
4	7030-4P	7030-4R	0.118(3.00)	0.270(6.85)
6	7030-6P	7030-6R	0.236(6.00)	0.388(9.85)
8	7030-8P	7030-8R	0.354(9.00)	0.506(12.85)
10	7030-10P	7030-10R	0.472(12.00)	0.624(15.85)
12	7030-12P	7030-12R	0.591(15.00)	0.742(18.85)

Circuits	Part No.		Dimensions in. (mm)	
	Plug	Receptacle	A	B
14	7030-14P	7030-14R	0.709(18.00)	0.860(21.85)
16	7030-16P	7030-16R	0.827(21.00)	0.978(24.85)
18	7030-18P	7030-18R	0.945(24.00)	1.096(27.85)
20	7030-20P	7030-20R	1.063(27.00)	1.215(30.85)
22	7030-22P	7030-22R	1.818(30.00)	1.333(33.85)
24	7030-24P	7030-24R	1.299(33.00)	1.451(36.85)

TERMINAL

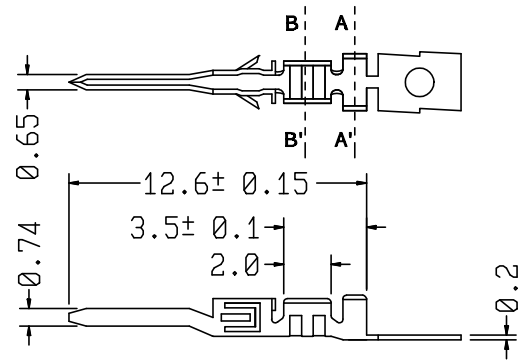
3030-PS2



Section A - A'

Section B - B'

6030-BS2



Part No.	Wire Range	Dimension(mm)				Material	Q'ty
	(AWG)	A	B	C	D		
3030-PS2	26-30	2.4	1.9	1.8	1.6	Phosphor/Tin-plated	10,000 pcs
3030H-PS2	20-24	2.7	2.5	2.1	2.1	Phosphor/Tin-plated	10,000 pcs
6030-BS2	26-30	2.4	1.9	1.8	1.6	Brass/Tin-plated	10,000 pcs
6030H-BS2	20-24	2.7	2.4	2.1	2.1	Brass/Tin-plated	10,000 pcs