

7142- 4.2mm(.165") Blind Mating Connector, Header

Specifications

Voltage rating: 600V AC/DC

Insulation resistance: 1000MΩ Min.

Current rating: 9A

Contact resistance: 10MΩ Max.

Withstanding voltage: 1500V AC/m Temperature range: -40°C ~ +105°C

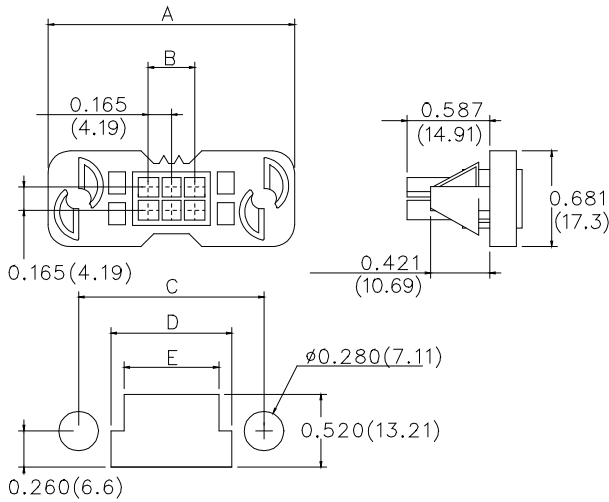
Housing

Material:

UL94V0

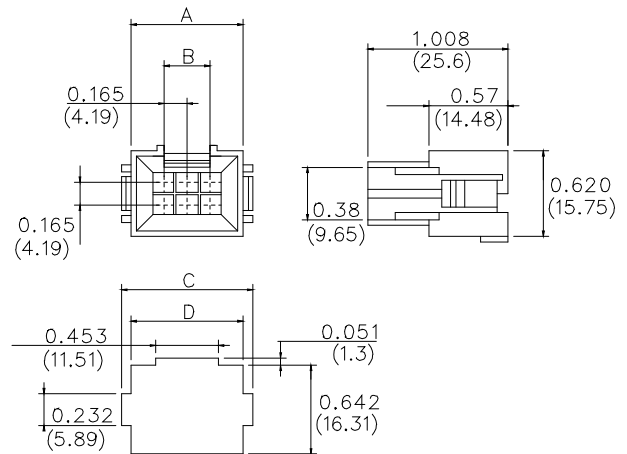
Nylon 66

7142-xxR



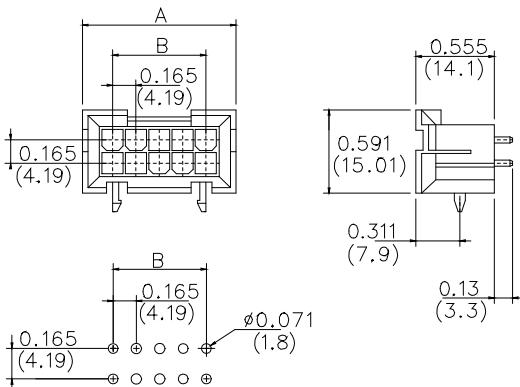
circuits	7142- xx R				
	A	B	C	D	E
4	1.583 (40.2)	0.165 (4.2)	1.150 (29.2)	0.693 (17.6)	0.508 (12.9)
6	1.748 (44.4)	0.331 (8.4)	1.315 (33.4)	0.858 (21.8)	0.673 (17.1)
8	1.913 (48.6)	0.496 (12.6)	1.480 (37.6)	1.024 (26.0)	0.839 (21.3)
10	2.078 (52.8)	0.661 (16.8)	1.645 (41.8)	1.189 (30.2)	1.004 (25.5)
14	2.409 (61.2)	0.992 (25.2)	1.976 (50.2)	1.520 (38.6)	1.335 (33.9)
18	2.740 (69.6)	1.323 (33.6)	2.307 (58.6)	1.850 (47.0)	1.665 (42.3)
24	3.236 (82.2)	1.819 (46.2)	2.803 (71.2)	2.346 (59.6)	2.161 (54.9)

7142-xxP

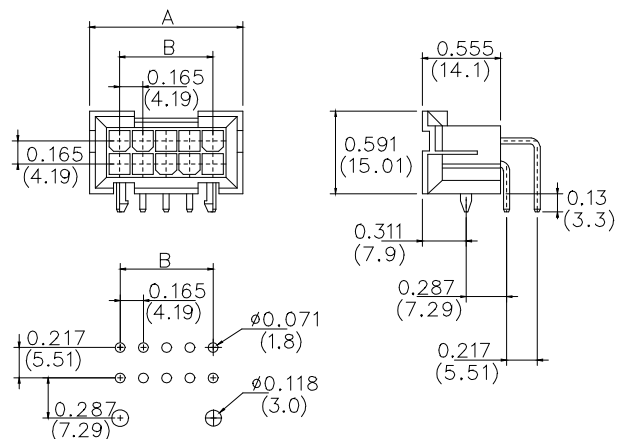


circuits	7142- xx P			
	A	B	C	D
4	0.622 (15.8)	0.165 (4.2)	0.779 (19.8)	0.642 (16.3)
6	0.540 (13.8)	0.331 (8.4)	0.945 (24.0)	0.807 (20.5)
8	0.710 (18.0)	0.496 (12.6)	1.110 (28.2)	0.972 (24.7)
10	0.870 (22.2)	0.661 (16.8)	1.276 (32.4)	1.138 (28.9)
14	1.200 (30.6)	0.992 (25.2)	1.606 (40.8)	1.469 (37.3)
18	1.540 (39.0)	1.323 (33.6)	1.937 (49.2)	1.799 (45.7)
24	2.030 (51.6)	1.819 (46.2)	2.433 (61.8)	2.295 (58.3)

7142-PVxx



7142-PRxx



7142-PV xx			7142-PR xx		
circuits	A	B	circuits	A	B
4	0.590 (15.0)	0.165 (4.2)	14	1.420 (36.0)	0.992 (25.2)
6	0.760 (19.2)	0.330 (8.4)	16	1.580 (40.2)	1.157 (29.4)
10	1.090 (27.6)	0.661 (16.8)	18	1.750 (44.4)	1.323 (33.6)
			24	2.240 (57.0)	1.819 (46.2)

Unit	Inch (mm)	Drawd By	Lin	Part No.	7142	洋晟實業股份有限公司 ORECO ENTERPRISE CO., LTD. TEL:02-27916536 FAX:02-27942101
Date	97/12/25	Checked By	Htsu	品名	Connector,Header	
Scale	0.8 : 1	Filename	7142	客戶料號		