

PINS, TABS

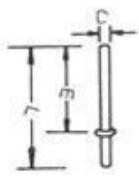
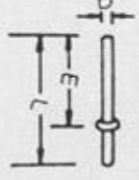
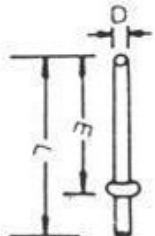
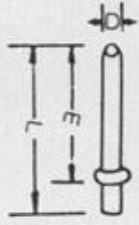
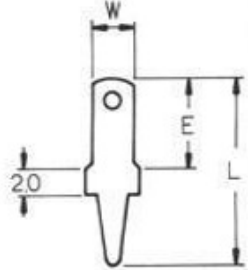
FIG					
PART NO.	1010-BL2	1012-BL2	1015-BL2	1235-BL2	0280-BL2
Dimension (mm)	E	8.0	6.0	10.0	6.8
	L	11.5	10.5	13.2	14
	D	1.0	1.2	1.55	2.9
THICKNESS (mm)					0.5

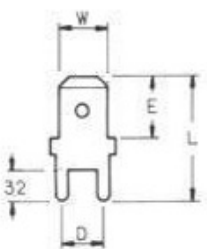
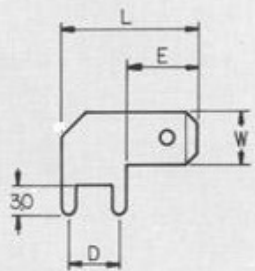
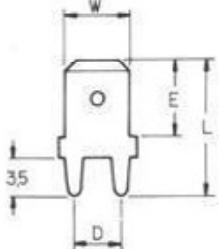
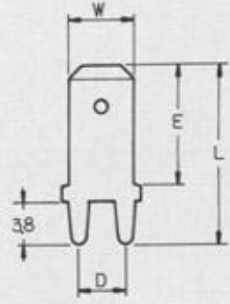
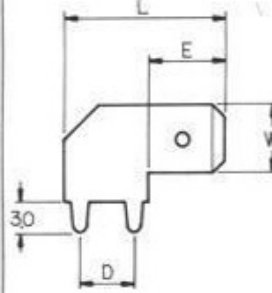
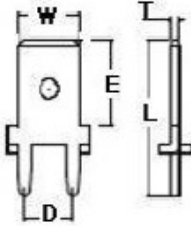
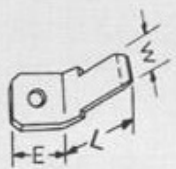
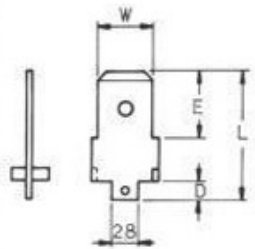
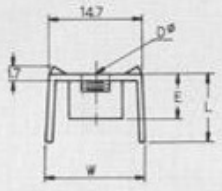
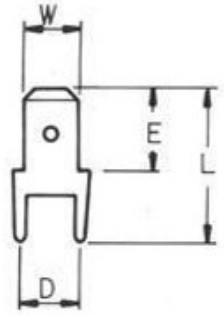
FIG						
PART NO.	0480-BL2	0480R-BL2	0635S-BL2	0635-BL1	0635R-BL2	
Dimension (mm)	W	4.75	4.75	6.35	6.35	
	E	7	6.9	7.8	12	8.6
	L	13.2	13.2	13.8	18.3	16.3
	D	5.0	5.0	5.0	5.0	5.0
THICKNESS (mm)	0.5/0.8	0.8	0.8	0.8	0.8	

FIG						
PART NO.	1635-BL2	1655-BL2	0645-BL2	1731-BL2	1480-BL2	
Dimension (mm)	W	6.35	6.35	6.35	15.4	4.75
	E	7.9	4.32	7.7	6.5	6.8
	L	14.2	10.8	15.6	11.0	12.8
	D	5.08	4.3, 5.0	2.8	4.00x0.7P	5.0
THICKNESS (mm)	0.8	0.8	0.8	0.8	0.8	