

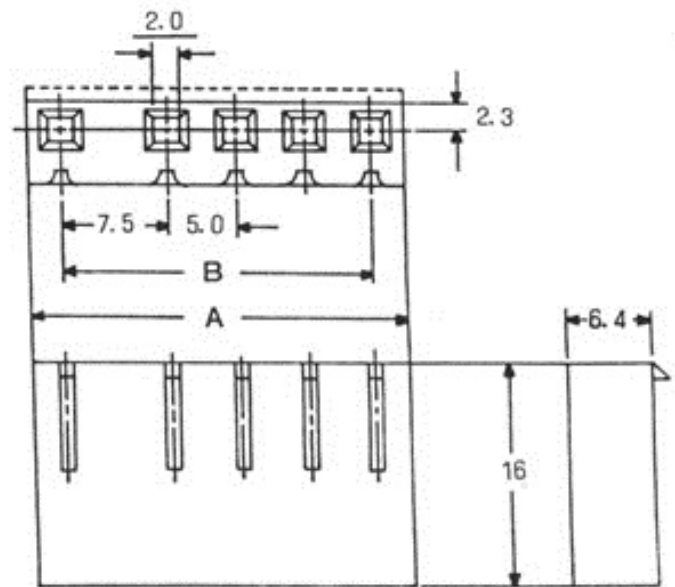
# 7750-7.5/5.0MM PITCH CONNECTOR

## Specification:

- Circuits: 2-12
- Voltage rating: 250V, AC, DC
- Current rating: 7A, AC, DC
- Withstand voltage: 1,500V AC/minute
- Insulation resistance: 1,000MΩ min.
- Temperature range: -25°C~+85°C
- Contact resistance: Initial Value/10mΩ min.  
After environmental testing/20mΩ max.

## HOUSING

Material:  
UL 94-V2  
Nylon 66

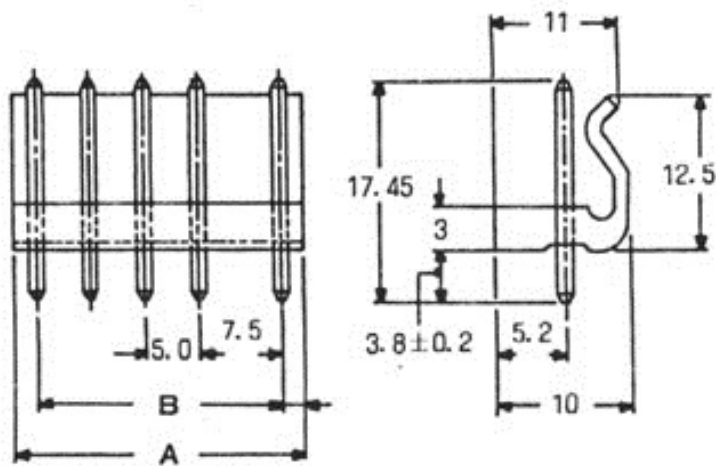


Circuits	Part No.	Dimensions in. (mm)	
		A	B
2	7750-H2	0.49 (12.46)	0.3 (7.50)
3	7750-H3	0.69 (17.46)	0.49 (12.50)
4	7750-H4	0.88 (22.46)	0.69 (17.50)
5	7750-H5	1.08 (27.46)	0.89 (22.50)
6	7750-H6	1.28 (32.46)	1.08 (27.50)
7	7750-H7	1.47 (37.46)	1.28 (32.50)

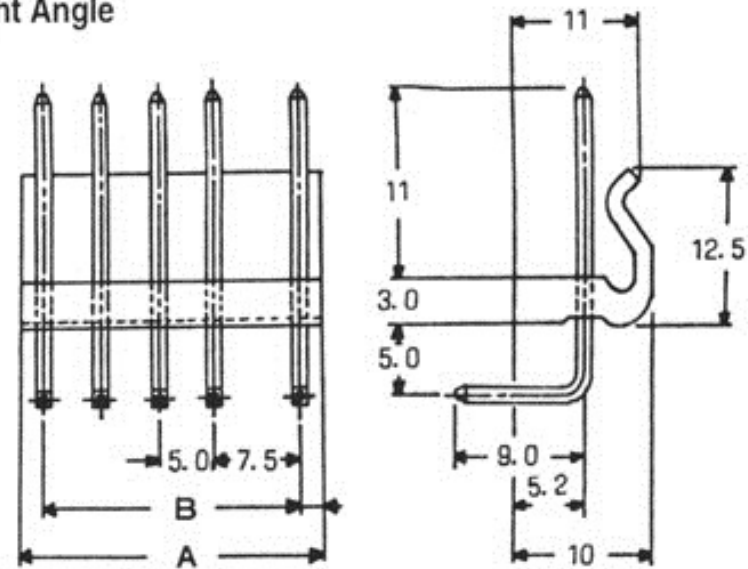
Circuits	Part No.	Dimensions in. (mm)	
		A	B
8	7750-H8	1.67 (42.46)	1.48 (37.50)
9	7750-H9	1.87 (47.46)	1.68 (42.50)
10	7750-H10	2.06 (52.46)	1.87 (47.50)
11	7750-H11	2.26 (57.46)	2.07 (52.50)
12	7750-H12	2.46 (62.46)	2.26 (57.50)

## WAFER

### Straight



### Right Angle



Circuits	Part No.		Dimensions in. (mm)	
	Straight	Right Angle	A	B
2	7750-PV2	7750-PR2	0.45 (11.46)	0.3 (7.50)
3	7750-PV3	7750-PR3	0.65 (16.46)	0.49 (12.50)
4	7750-PV4	7750-PR4	0.84 (21.46)	0.69 (17.50)
5	7750-PV5	7750-PR5	1.04 (26.46)	0.81 (22.50)
6	7750-PV6	7750-PR6	1.24 (31.46)	1.08 (27.50)
7	7750-PV7	7750-PR7	1.43 (36.46)	1.28 (32.50)

Circuits	Part No.		Dimensions in. (mm)	
	Straight	Right Angle	A	B
8	7750-PV8	7750-PR8	1.63 (41.46)	1.48 (37.50)
9	7750-PV9	7750-PR9	1.83 (46.46)	1.68 (42.50)
10	7750-PV10	7750-PR10	2.02 (51.46)	1.87 (47.50)
11	7750-PV11	7750-PR11	2.22 (56.46)	2.07 (52.50)
12	7750-PV12	7750-PR12	2.42 (61.46)	2.26 (57.50)

## TERMINAL

PART NO: 7396-BS2

Applicable wire	Material	Finish	Thickness	Q'Ty/reel
24-18 AWG	Brass	Tin-plated	0.25mm	6,000 pcs

