

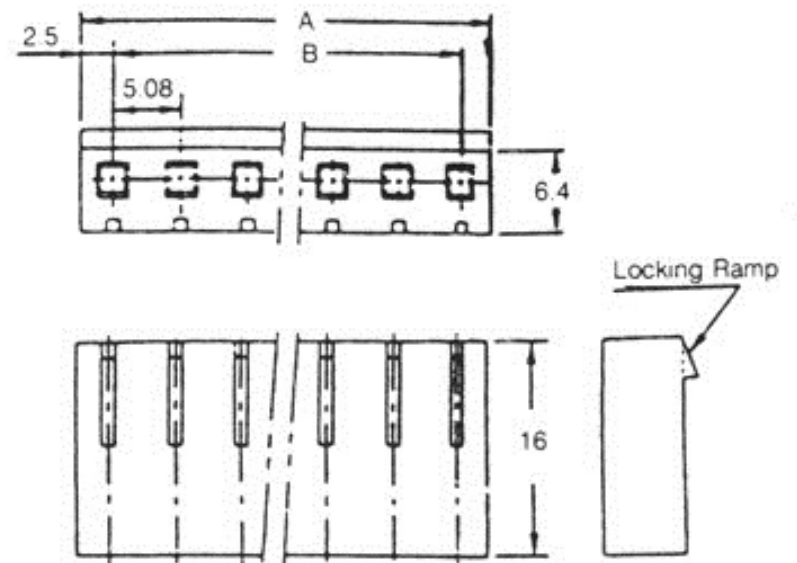
7508-5.08MM PITCH CONNECTOR

Specification:

- Circuits: 2-15
- Voltage rating: 250V, AC, DC
- Current rating: 7A, AC, DC
- Withstand voltage: 1,500V AC/minute
- Insulation resistance: 1,000MΩ min.
- Temperature range: -25°C~+85°C
- Contact resistance: Initial Value/10mΩ min.
After environmental testing/20mΩ max.

HOUSING

Material:
UL 94V-0
Nylon 66

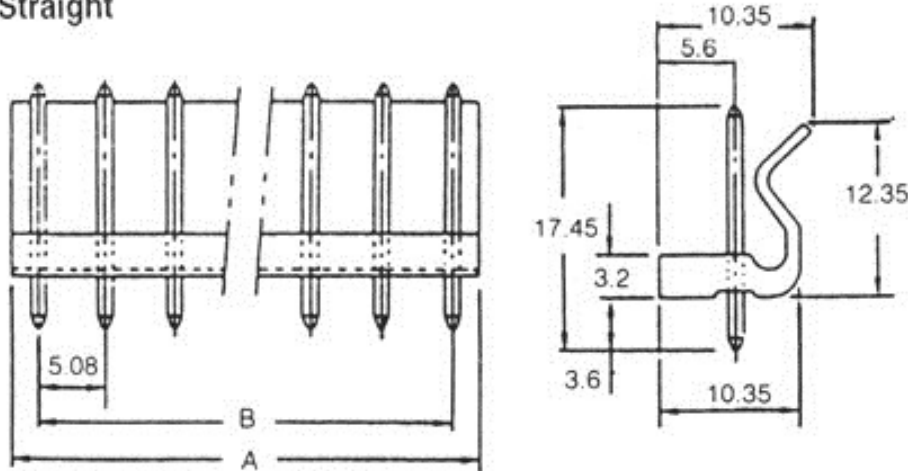


Circuits	Part No.	Dimensions in.(mm)	
		A	B
2	7508-H2	0.40 (10.08)	0.20 (5.08)
3	7508-H3	0.60 (15.16)	0.40 (10.16)
4	7508-H4	0.80 (20.24)	0.60 (15.24)
5	7508-H5	1.00 (25.32)	0.80 (20.32)
6	7508-H6	1.20 (30.40)	1.00 (25.40)
7	7508-H7	1.40 (35.48)	1.20 (30.48)
8	7508-H8	1.60 (40.56)	1.40 (35.56)

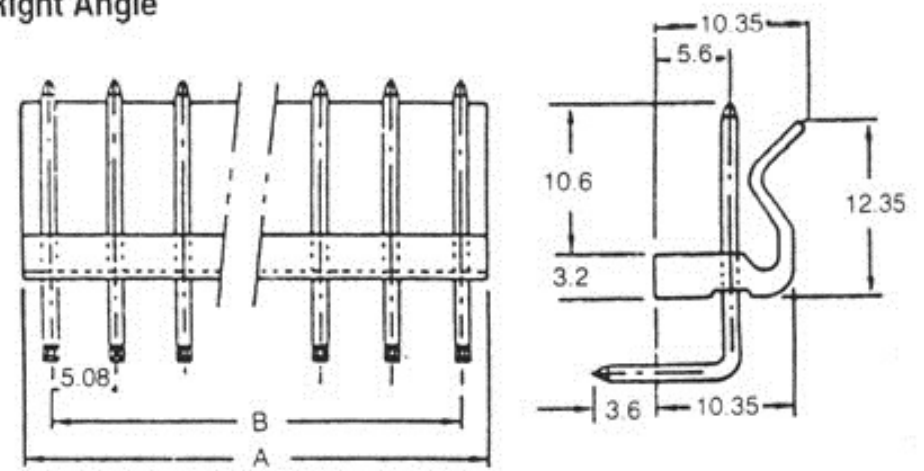
Circuits	Part No.	Dimensions in.(mm)	
		A	B
9	7508-H9	1.80 (45.64)	1.60 (40.64)
10	7508-H10	2.00 (50.72)	1.80 (45.72)
11	7508-H11	2.20 (55.80)	2.00 (50.80)
12	7508-H12	2.40 (60.88)	2.20 (55.88)
13	7508-H13	2.60 (65.96)	2.40 (60.96)
14	7508-H14	2.80 (71.04)	2.60 (66.04)
15	7508-H15	3.00 (76.12)	2.80 (71.12)

WAFER

Straight



Right Angle



Circuits	Part No.		Dimensions in.(mm)	
	Straight	Right Angle	A	B
2	7508-PV2	7508-PR2	0.40 (10.16)	0.20 (5.08)
3	7508-PV3	7508-PR3	0.60 (15.24)	0.40 (10.16)
4	7508-PV4	7508-PR4	0.80 (20.32)	0.60 (15.24)
5	7508-PV5	7508-PR5	1.00 (25.40)	0.80 (20.32)
6	7508-PV6	7508-PR6	1.20 (30.48)	1.00 (25.40)
7	7508-PV7	7508-PR7	1.406 (35.5)	1.20 (30.48)
8	7508-PV8	7508-PR8	1.60 (40.64)	1.40 (35.56)

Circuits	Part No.		Dimensions in.(mm)	
	Straight	Right Angle	A	B
9	7508-PV9	7508-PR9	1.80 (45.72)	1.60 (40.64)
10	7508-PV10	7508-PR10	2.00 (50.80)	1.80 (45.72)
11	7508-PV11	7508-PR11	2.20 (55.88)	2.00 (50.80)
12	7508-PV12	7508-PR12	2.40 (60.96)	2.20 (55.88)
13	7508-PV13	7508-PR13	2.60 (66.04)	2.40 (60.96)
14	7508-PV14	7508-PR14	2.80 (71.12)	2.60 (66.04)
15	7508-PV15	7508-PR15	3.00 (76.20)	2.80 (71.12)

TERMINAL

PART NO: 7396-BS2

Applicable wire	Material	Finish	Thickness	Q'Ty/reel
24-18 AWG	Brass	Tin-plated	0.25mm	6,000 pcs

