

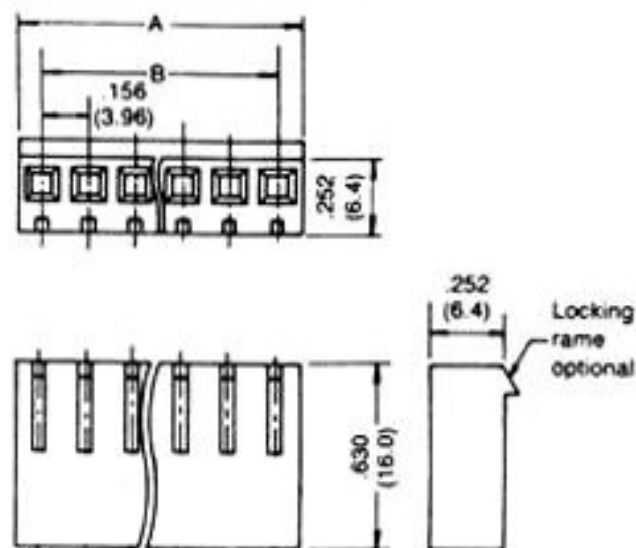
7396-3.96MM PITCH CONNECTOR, TERMINAL

Specification:

- Circuits: 2-20
- Voltage rating: 250V, AC, DC
- Current rating: 7A, AC, DC
- Withstand voltage: 1,000V AC/minute
- Insulation resistance: 1,000MΩ min.
- Temperature range: -25°C~+85°C
- Contact resistance: Initial Value/10mΩ min.
After environmental testing/20mΩ max.

HOUSING

Material:
UL 94V-0
Nylon 66

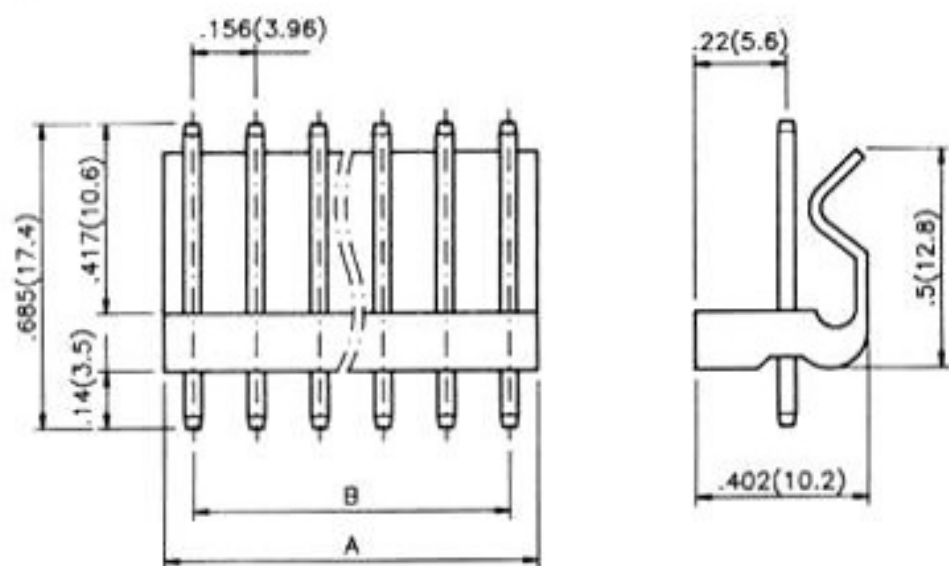


Circuits	Part No.	Dimensions in. (mm)	
		A	B
2	7396-H2	.308 (7.82)	.156 (3.96)
3	7396-H3	.464 (11.79)	.312 (7.92)
4	7396-H4	.620 (15.75)	.468 (11.88)
5	7396-H5	.776 (19.71)	.624 (15.84)
6	7396-H6	.932 (23.67)	.780 (19.80)
6,000 pcs	7396-H7	1.088 (27.64)	.935 (23.76)
8	7396-H8	1.244 (31.60)	1.091 (27.72)
9	7396-H9	1.404 (35.67)	1.247 (31.68)
10	7396-H10	1.556 (39.52)	1.403 (35.64)
11	7396-H11	1.712 (43.48)	1.559 (39.60)

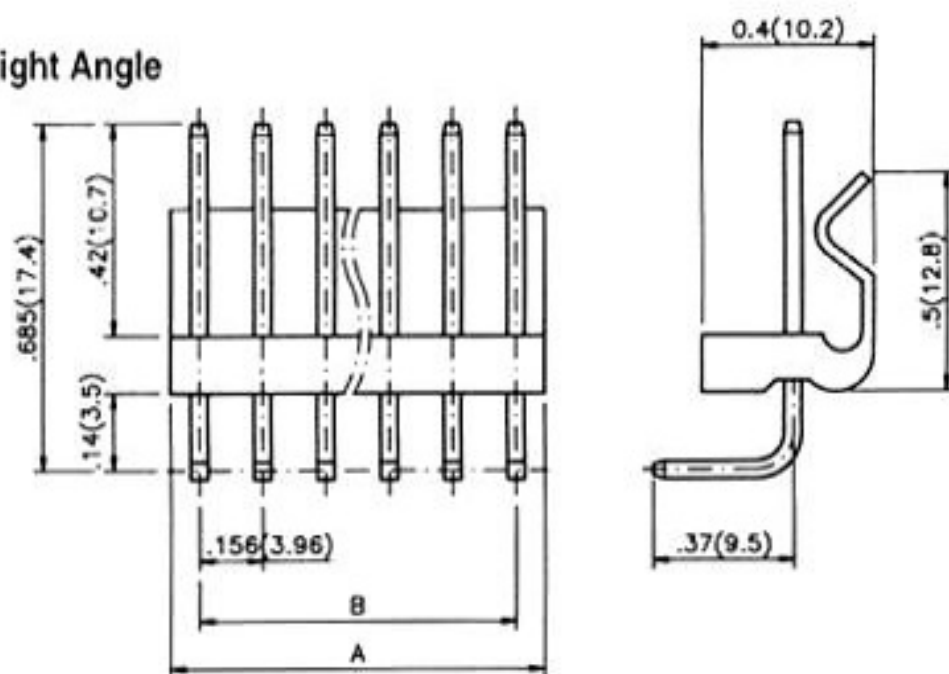
Circuits	Part No.	Dimensions in. (mm)	
		A	B
12	7396-H12	1.868 (47.45)	1.715 (43.56)
13	7396-H13	2.024 (51.41)	1.871 (47.52)
14	7396-H14	2.180 (55.37)	2.027 (51.48)
15	7396-H15	2.336 (59.33)	2.183 (55.44)
16	7396-H16	2.492 (63.30)	2.339 (59.40)
17	7396-H17	2.648 (67.26)	2.494 (63.36)
18	7396-H18	2.804 (71.22)	2.650 (67.32)
19	7396-H19	2.960 (75.18)	2.806 (71.28)
20	7396-H20	3.116 (79.15)	2.962 (75.24)

WAFER

Straight



Right Angle



Circuits	Part No.		Dimensions in. (mm)	
	Straight	Right Angle	A	B
2	7396-PV2	7396-PR2	.312 (7.92)	.156 (3.96)
3	7396-PV3	7396-PR3	.467 (11.88)	.312 (7.92)
4	7396-PV4	7396-PR4	.624 (15.84)	.468 (11.88)
5	7396-PV5	7396-PR5	.779 (19.80)	.624 (15.84)
6	7396-PV6	7396-PR6	.935 (23.76)	.780 (19.80)
7	7396-PV7	7396-PR7	1.091 (27.72)	.935 (23.76)
8	7396-PV8	7396-PR8	1.247 (31.68)	1.091 (27.72)
9	7396-PV9	7396-PR9	1.403 (35.64)	1.247 (31.68)
10	7396-PV10	7396-PR10	1.559 (39.60)	1.403 (35.64)
11	7396-PV11	7396-PR11	1.715 (43.56)	1.559 (39.60)

Circuits	Part No.		Dimensions in. (mm)	
	Straight	Right Angle	A	B
12	7396-PV12	7396-PR12	1.871 (47.52)	1.715 (43.56)
13	7396-PV13	7396-PR13	2.027 (51.48)	1.871 (47.52)
14	7396-PV14	7396-PR14	2.183 (55.44)	2.027 (51.48)
15	7396-PV15	7396-PR15	2.339 (59.40)	2.183 (55.44)
16	7396-PV16	7396-PR16	2.494 (63.36)	2.339 (59.40)
17	7396-PV17	7396-PR17	2.650 (67.32)	2.494 (63.36)
18	7396-PV18	7396-PR18	2.806 (71.28)	2.650 (67.32)
19	7396-PV19	7396-PR19	2.962 (75.24)	2.806 (71.28)
20	7396-PV20	7396-PR20	3.118 (79.20)	2.962 (75.24)

TERMINAL

PART NO: 7396-BS2

Applicable wire	Material	Finish	Thickness	Q'Ty/reel
24-18 AWG	Brass	Tin-plated	0.25mm	6,000 pcs

