

# 7254S-2.54mm(.100") PITCH CONNECTOR, TERMINAL

## Specifications:

Circuits: 2 ~ 12

Voltage rating: 250V AC,DC

Current rating: 3A AC,DC

Withstand voltage: 1,000 AC/minute.

Insulation Resistance: 1000 MΩ Min.

Temperature range : -25°C ~ +85°C

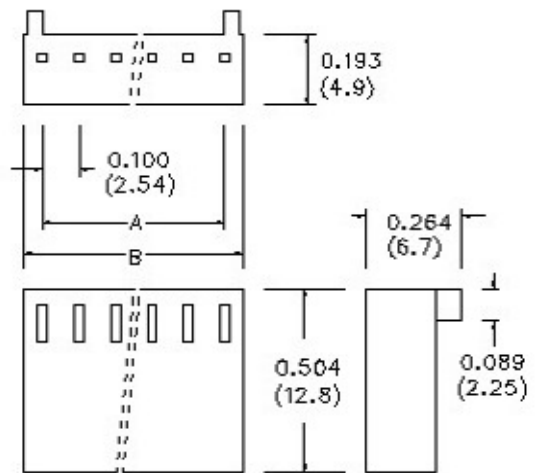
## HOUSING

Material:

UL94V-2 Nylon 66

Color: Brown

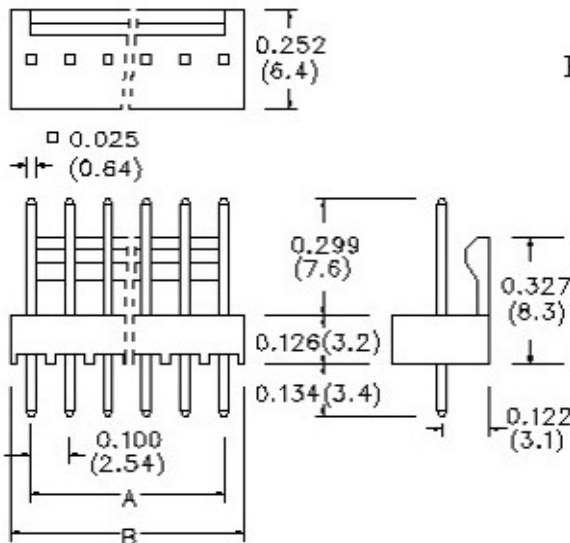
White



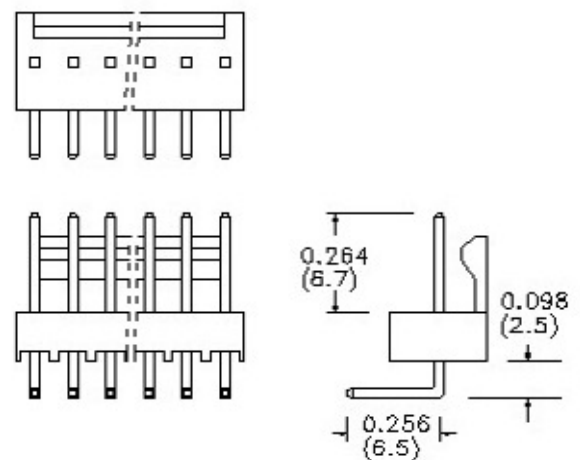
Circuits	Part No.	Dimension in. (mm)		Circuits	Part No.	Dimension in. (mm)	
		A	B			A	B
2	7254S-H2	0.100(2.54)	0.222(5.65)	8	7254S-H8	0.700(17.78)	0.822(20.89)
3	7254S-H3	0.200(5.08)	0.322(8.19)	9	7254S-H9	0.800(20.32)	0.922(23.43)
4	7254S-H4	0.300(7.62)	0.422(10.73)	10	7254S-H10	0.900(22.86)	1.022(25.97)
5	7254S-H5	0.400(10.16)	0.522(13.27)	11	7254S-H11	1.000(25.40)	1.122(28.51)
6	7254S-H6	0.500(12.70)	0.622(15.81)	12	7254S-H12	1.100(27.94)	1.222(31.05)
7	7254S-H7	0.600(15.24)	0.722(18.35)				

## WAFER

Straight Angle



Right Angle



Circuits	Part No.		Dimension in. (mm)		Circuits	Part No.		Dimension in. (mm)	
	Straight	Right Angle	A	B		Straight	Right Angle	A	B
2	7254S-PV2	7254S-PR2	0.100(2.54)	0.201(5.10)	8	7254S-PV8	7254S-PR8	0.700(17.78)	0.805(20.44)
3	7254S-PV3	7254S-PR3	0.200(5.08)	0.302(7.68)	9	7254S-PV9	7254S-PR9	0.800(20.32)	0.906(23.00)
4	7254S-PV4	7254S-PR4	0.300(7.62)	0.403(10.24)	10	7254S-PV10	7254S-PR10	0.900(22.86)	1.006(25.54)
5	7254S-PV5	7254S-PR5	0.400(10.16)	0.503(12.78)	11	7254S-PV11	7254S-PR11	1.000(25.40)	1.106(28.10)
6	7254S-PV6	7254S-PR6	0.500(12.70)	0.600(15.24)	12	7254S-PV12	7254S-PR12	1.100(27.94)	1.206(30.64)
7	7254S-PV7	7254S-PR7	0.600(15.24)	0.704(17.88)					

## TERMINAL

Part No.: 7254-BS2

Applicable Wire	Material	Finish	Thickness	Q'ty/Reel
28~22 AWG	Brass	Tin-plated	0.2mm	10,000 pcs

