

# 70421- 4.2mm(.165") Single Row Power Connector

## Specifications

Circuits: 2 ~ 12

Voltage rating: 600V AC/DC

Current rating: 9A

Withstanding voltage: 1500V AC/minute.

Insulation resistance: 1000MΩ Min.

Contact resistance: 10MΩ Max.

Temperature range: -40°C ~ +105°C

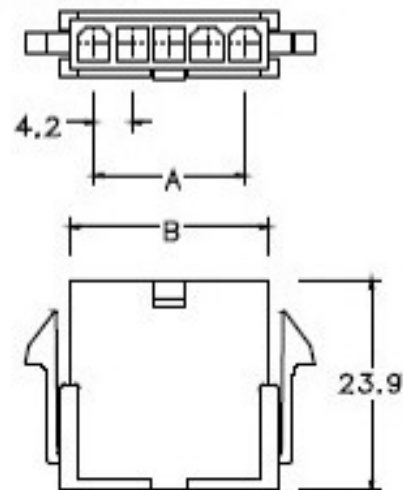
## Housing

Material:

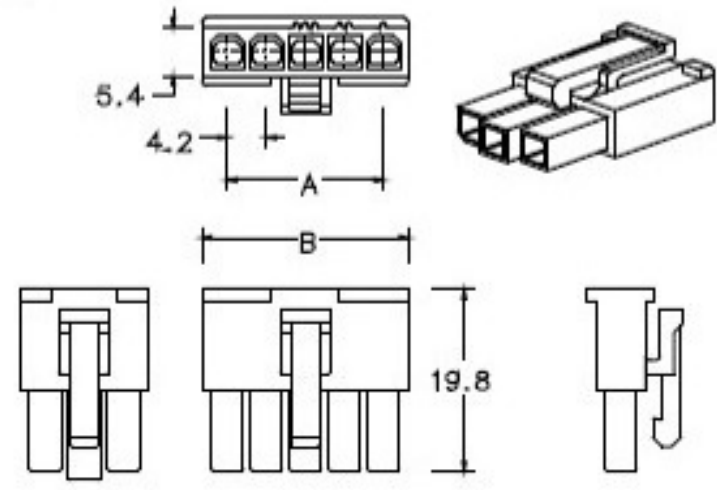
UL94V-2

Nylon 66

### 70421-xxP

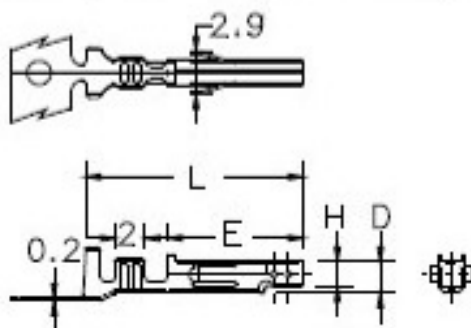


### 70421-xxR

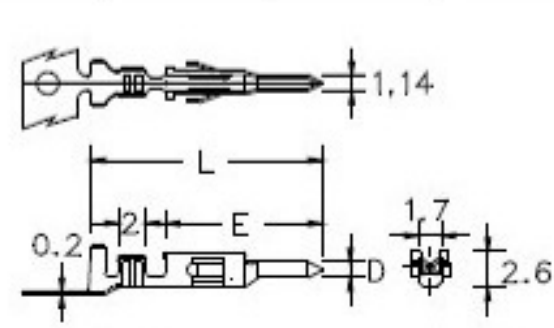


circuits	Part No.		Dimension in. (mm)		circuits	Part No.		Dimension in. (mm)	
	Receptacle	Plug	A	B		Receptacle	Plug	A	B
2	70421-2R	70421-2P	0.165 (4.2)	0.378 (9.6)	8	70421-8R	70421-8P	1.157 (29.4)	1.370 (34.8)
3	70421-3R	70421-3P	0.331 (8.4)	0.543 (13.8)	9	70421-9R	70421-9P	1.323 (33.6)	1.535 (39.0)
4	70421-4R	70421-4P	0.496 (12.6)	0.709 (18.0)	10	70421-10R	70421-10P	1.488 (37.8)	1.701 (43.2)
5	70421-5R	70421-5P	0.681 (16.8)	0.874 (22.2)	11	70421-11R	70421-11P	1.654 (42.0)	1.866 (47.4)
6	70421-6R	70421-6P	0.827 (21.0)	1.039 (26.4)	12	70421-12R	70421-12P	1.819 (46.2)	2.031 (51.6)
7	70421-7R	70421-7P	0.992 (25.2)	1.205 (30.6)					

### 3042-PS2

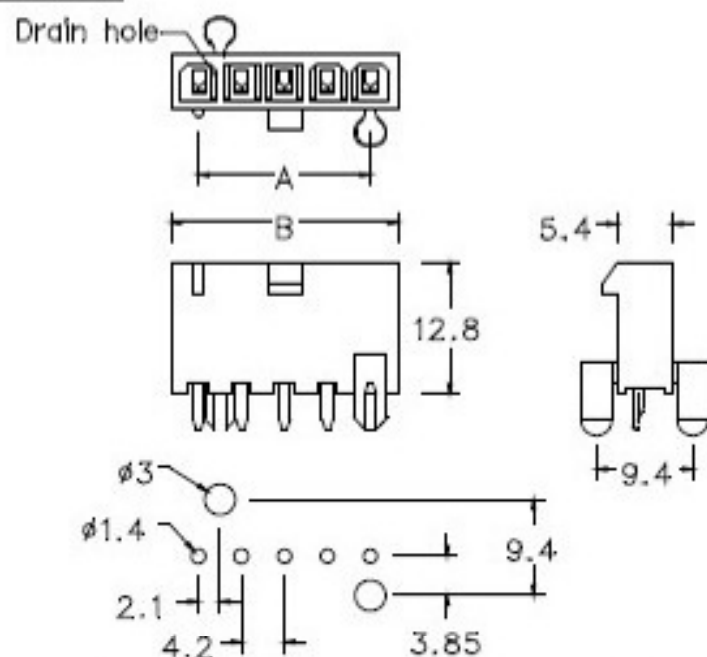


### 6042-BS2

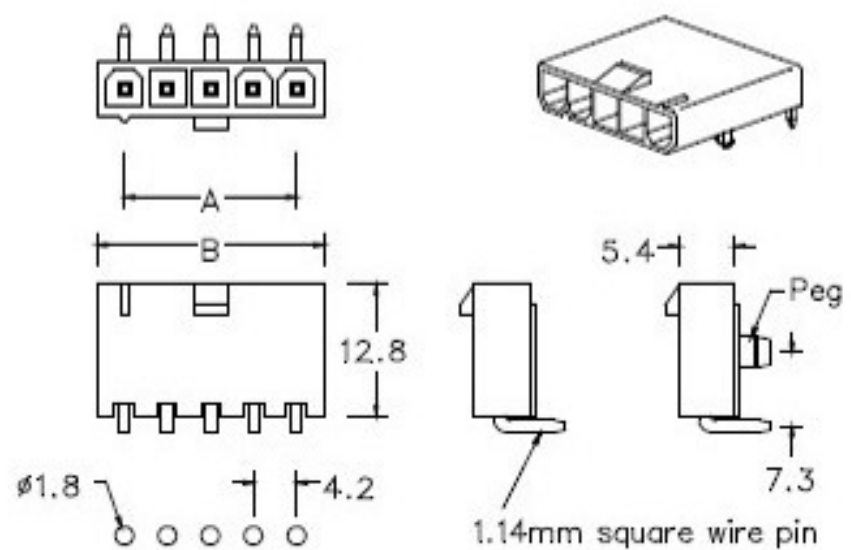


Part No.	Wire range (AWG)	Dimension (mm)				Thickness (mm)	Material	Finish	Q' ty (Reel)
		E	L	D	H				
3042-PS2	16 ~ 24	9.2	14.7	2.15	1.7	0.2	Phos.bronze / Tin plated	5,000 pcs/Reel	
6042-BS2	16 ~ 24	11.4	16.8	1.14	1.14	0.2	Brass / Tin plated	5,000 pcs/Reel	

### 70421-PVxx



### 70421-PRxx



circuits	Part No.		Dimension in. (mm)		circuits	Part No.		Dimension in. (mm)	
	Vertical	R/Angle	A	B		Vertical	R/Angle	A	B
2	70421-PV2	70421-PR2	0.165 (4.2)	0.378 (9.6)	8	70421-PV8	70421-PR8	1.157 (29.4)	1.370 (34.8)
3	70421-PV3	70421-PR3	0.331 (8.4)	0.543 (13.8)	9	70421-PV9	70421-PR9	1.323 (33.6)	1.535 (39.0)
4	70421-PV4	70421-PR4	0.496 (12.6)	0.709 (18.0)	10	70421-PV10	70421-PR10	1.488 (37.8)	1.701 (43.2)
5	70421-PV5	70421-PR5	0.681 (16.8)	0.874 (22.2)	11	70421-PV11	70421-PR11	1.654 (42.0)	1.866 (47.4)
6	70421-PV6	70421-PR6	0.827 (21.0)	1.039 (26.4)	12	70421-PV12	70421-PR12	1.819 (46.2)	2.031 (51.6)
7	70421-PV7	70421-PR7	0.992 (25.2)	1.205 (30.6)					

Unit	Inch (mm)	Drawd By	Lin	Part No.	70421	洋晟實業股份有限公司 ORECO ENTERPRISE CO., LTD. TEL:02-27916536 FAX:02-27942101
Date	101/2/9	Checked By	Hsu	品名	Connector	
Scale	1 : 1	Filename	70421	客戶料號		