

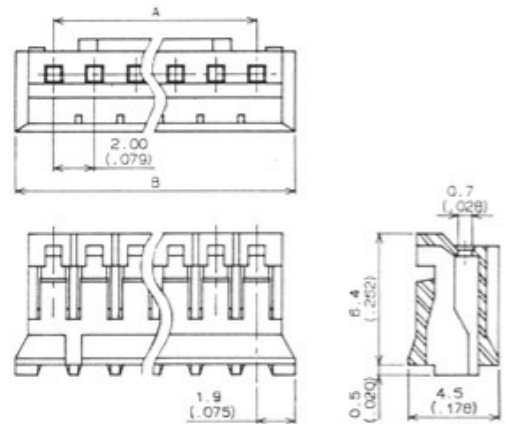
7002-2.0MM PITCH CONNECTORS, TERMINAL

Specification:

- Circuits: 2-15
- Voltage rating: 250V AC/DC
- Current rating: 2A AC/DC
- Withstand voltage: 800V AC/minute
- Insulation resistance: 1000MΩ min
- Temperature range: -25°C+85°C
- Contact resistance: Initial value/10mΩ max
After environmental testing/20mΩ max

HOUSING

Material:
UL 94V-0
Nylon 66

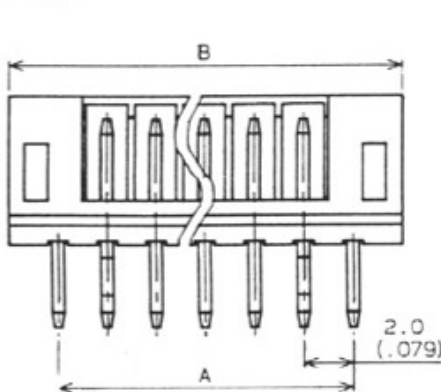


Circuits	Part No.	Dimensions in. (mm)	
		A	B
2	7002-H2	.079 (2.0)	.228 (5.8)
3	7002-H3	.157 (4.0)	.307 (7.8)
4	7002-H4	.236 (6.0)	.386 (9.8)
5	7002-H5	.315 (8.0)	.435 (11.8)
6	7002-H6	.394 (10.0)	.543 (13.8)
7	7002-H7	.472 (12.0)	.622 (15.8)
8	7002-H8	.551 (14.0)	.701 (17.8)

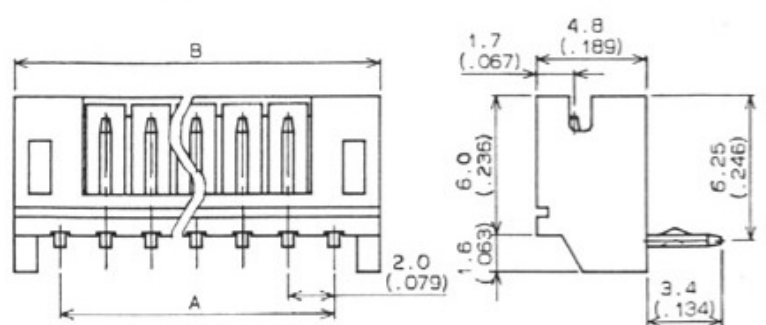
Circuits	Part No.	Dimensions in. (mm)	
		A	B
9	7002-H9	.630 (16.0)	.780 (19.8)
10	7002-H10	.709 (18.0)	.858 (21.8)
11	7002-H11	.787 (20.0)	.937 (23.8)
12	7002-H12	.866 (22.0)	1.016 (25.8)
13	7002-H13	.945 (24.0)	1.094 (27.8)
14	7002-H14	1.024 (26.0)	1.173 (29.8)
15	7002-H15	1.102 (28.0)	1.252 (31.8)

WAFER

Straight



Right Angle



Circuits	Part No.		Dimensions in. (mm)	
	Straight	Right Angle	A	B
2	7002-PV2	7002-PR2	.079 (2.0)	.236 (6.0)
3	7002-PV3	7002-PR3	.157 (4.0)	.315 (8.0)
4	7002-PV4	7002-PR4	.236 (6.0)	.394 (10.0)
5	7002-PV5	7002-PR5	.315 (8.0)	.472 (12.0)
6	7002-PV6	7002-PR6	.394 (10.0)	.551 (14.0)
7	7002-PV7	7002-PR7	.472 (12.0)	.630 (16.0)
8	7002-PV8	7002-PR8	.551 (14.0)	.709 (18.0)

Circuits	Part No.		Dimensions in. (mm)	
	Straight	Right Angle	A	B
9	7002-PV9	7002-PR9	.630 (16.0)	.787 (20.0)
10	7002-PV10	7002-PR10	.709 (18.0)	.866 (22.0)
11	7002-PV11	7002-PR11	.787 (20.0)	.945 (24.0)
12	7002-PV12	7002-PR12	.866 (22.0)	1.102 (26.0)
13	7002-PV13	7002-PR13	.945 (24.0)	1.102 (28.0)
14	7002-PV14	7002-PR14	1.024 (26.0)	1.181 (30.0)
15	7002-PV15	7002-PR15	1.102 (28.0)	1.260 (32.0)

TERMINAL

PART NO: 7002-PS2

Applicable wire	Material	Finish	Thickness	Q'Ty/reel
30-24 AWG	Phos, brooze	Tin-plated	0.2mm	10,000pcs

